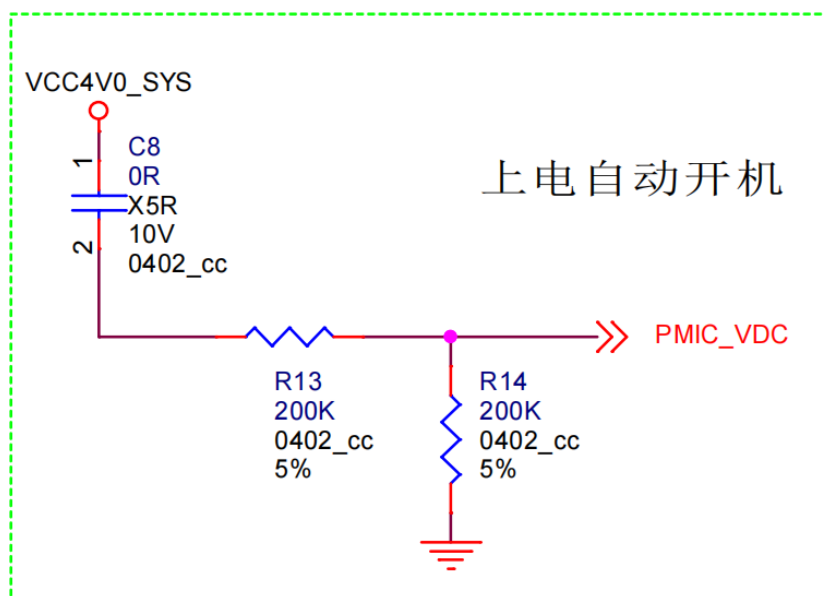


rk3588 修改按键短按开关机

按键开机 硬件修改：去掉R13,上电不开机，需要按下power键开机



按键关机 软件修改：sdk 源码下修改对应的文件，短按power键关机

```
diff --git a/frameworks/base/core/res/res/values/config.xml
b/frameworks/base/core/res/res/values/config.xml
index 039e7f99574..35c4201ee81 100644
--- a/frameworks/base/core/res/res/values/config.xml
+++ b/frameworks/base/core/res/res/values/config.xml
@@ -967,7 +967,7 @@
    <!-- How long to show a warning message to user before the device goes to
    sleep after prolonged
        user inactivity. -->
    - <integer name="config_attentivewarningDuration">30000</integer>
    + <integer name="config_attentivewarningDuration">300</integer>

    <!-- Control the behavior when the user long presses the power button.
        0 - Nothing
@@ -977,7 +977,7 @@
        4 - Go to voice assist
        5 - Go to assistant (Settings.Secure.ASSISTANT)
    -->
    - <integer name="config_longPressOnPowerBehavior">5</integer>
    + <integer name="config_longPressOnPowerBehavior">3</integer>

    <!-- The time in milliseconds after which a press on power button is
    considered "long". -->
    <integer name="config_longPressOnPowerDurationMs">500</integer>
@@ -1029,7 +1029,7 @@
        4 - Go to home
        5 - Dismiss IME if shown. Otherwise go to home
```

```

-->
- <integer name="config_shortPressOnPowerBehavior">1</integer>
+ <integer name="config_shortPressOnPowerBehavior">0</integer>

<!-- Control the behavior when the user double presses the power button.
      0 - Nothing
diff --git
a/frameworks/base/services/core/java/com/android/server/policy/PhonewindowManager.java b/frameworks/base/services/core/java/com/android/server/policy/PhonewindowManager.java
index 350fc188a1c..0ed55997ded 100644
---
a/frameworks/base/services/core/java/com/android/server/policy/PhonewindowManager.java
+++
b/frameworks/base/services/core/java/com/android/server/policy/PhonewindowManager.java
@@ -2083,7 +2083,8 @@ public class PhonewindowManager implements
windowManagerPolicy {
    if (getResolvedLongPressOnPowerBehavior() ==
LONG_PRESS_POWER_ASSISTANT) {
        return mLongPressOnPowerAssistantTimeoutMs;
    } else {
-        return super.getLongPressTimeoutMs();
+        //return super.getLongPressTimeoutMs();
+        return 1;
    }
}

(END)

```