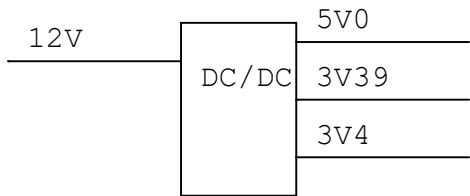


D

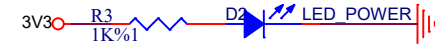
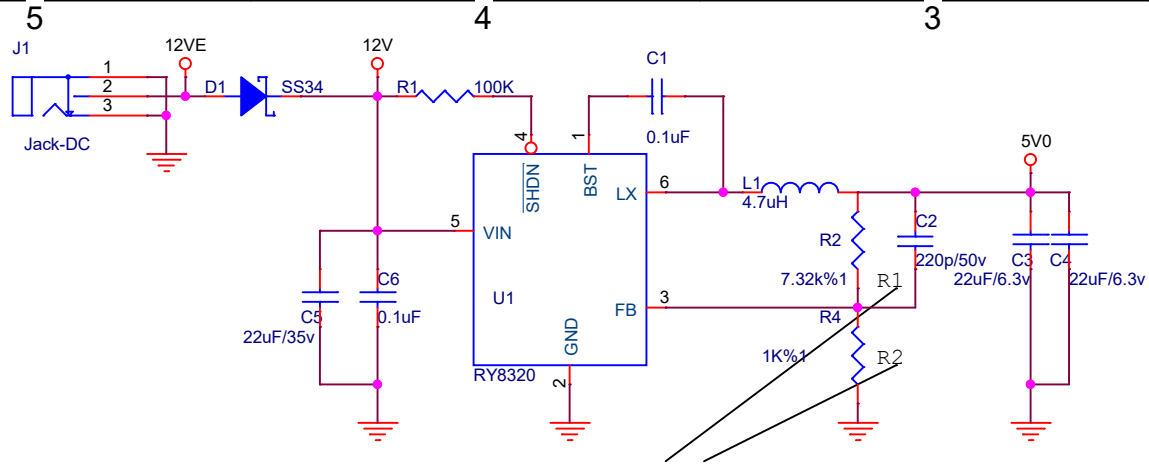


C

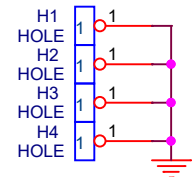
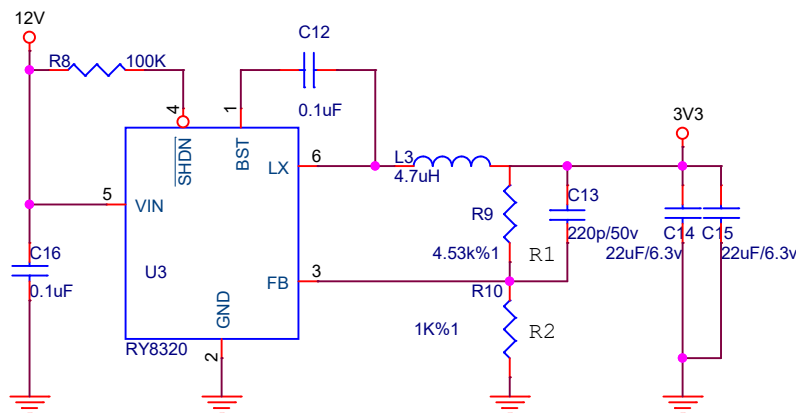
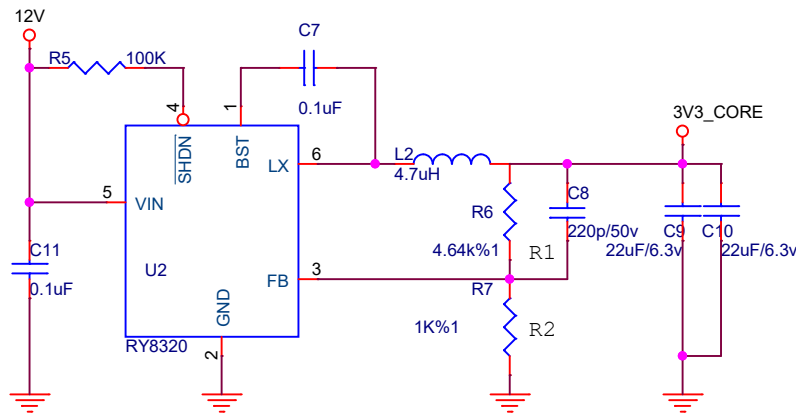
B

A

Title		
<Title>		
Size	Document Number	Rev
A4	<Doc>	1.0
Date:	Tuesday, March 29, 2022	Sheet 1 of 10

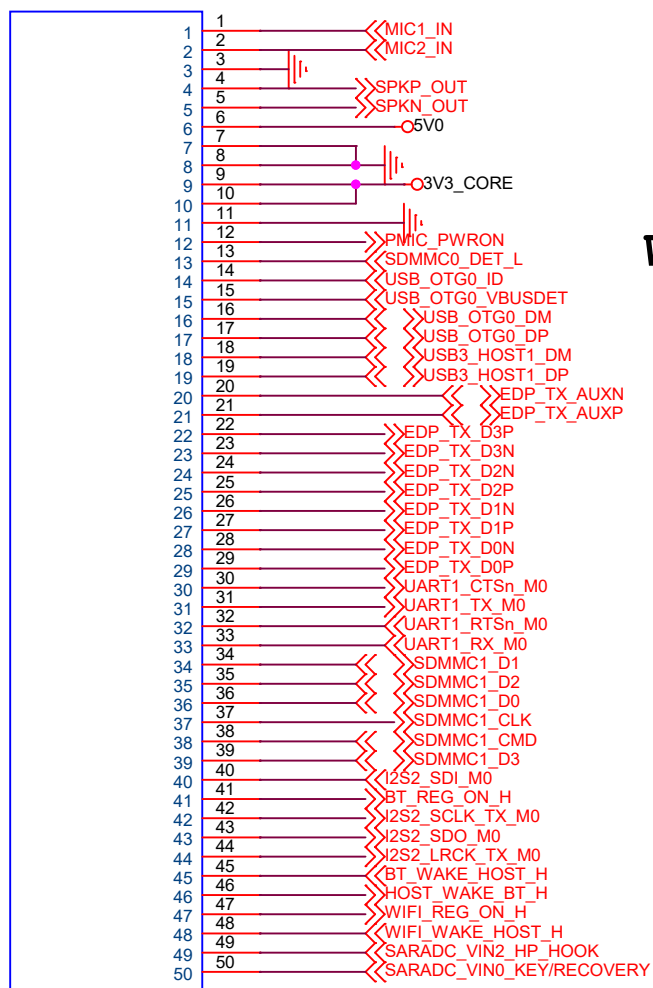


$$V_{out} = 0.6 * (R1/R2 + 1)$$



Title <Title>		
Size A4	Document Number <Doc>	Rev 1.0
Date:	Tuesday, March 29, 2022	Sheet 2 of 10

U4A



con2x50

TP

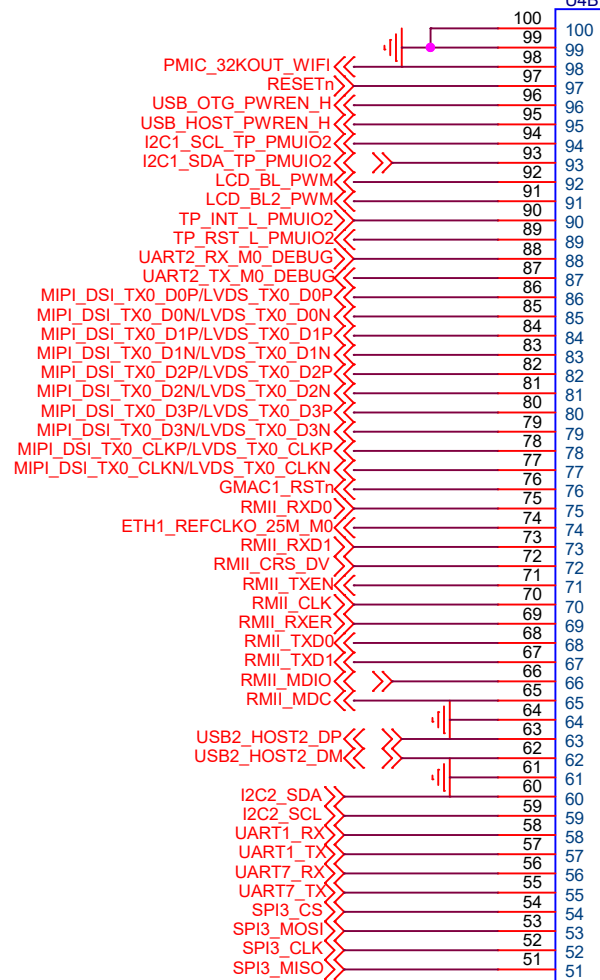
RMII  
WIFI+BT

I2S

ADC

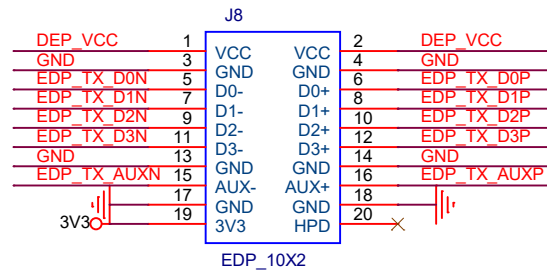
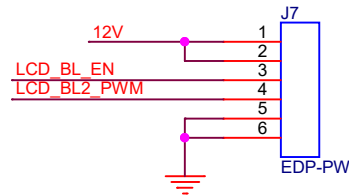
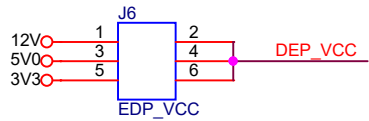
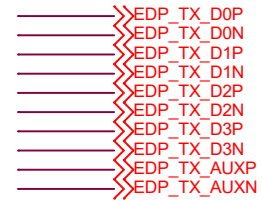
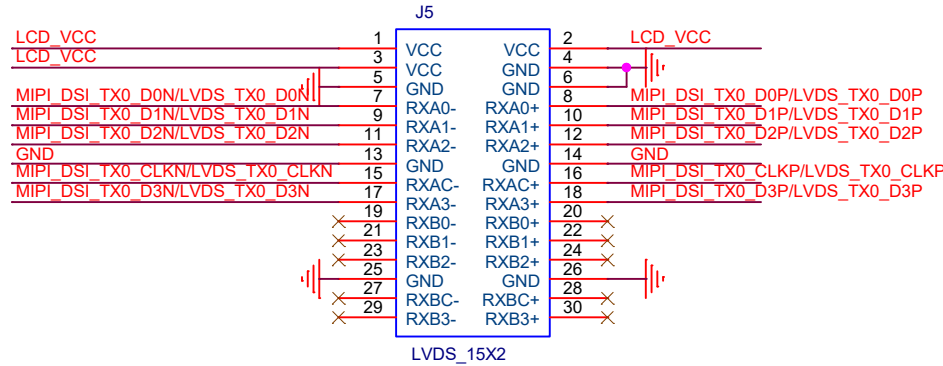
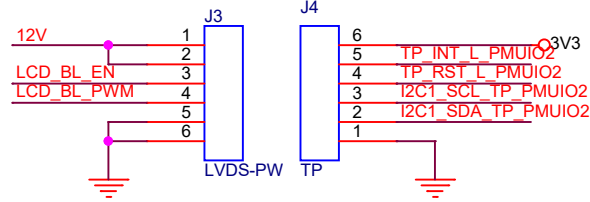
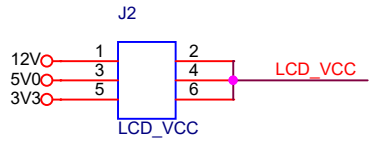
DEBUG

U4B

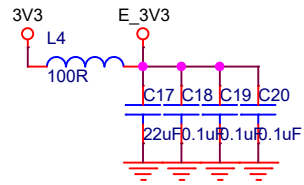


con2x50

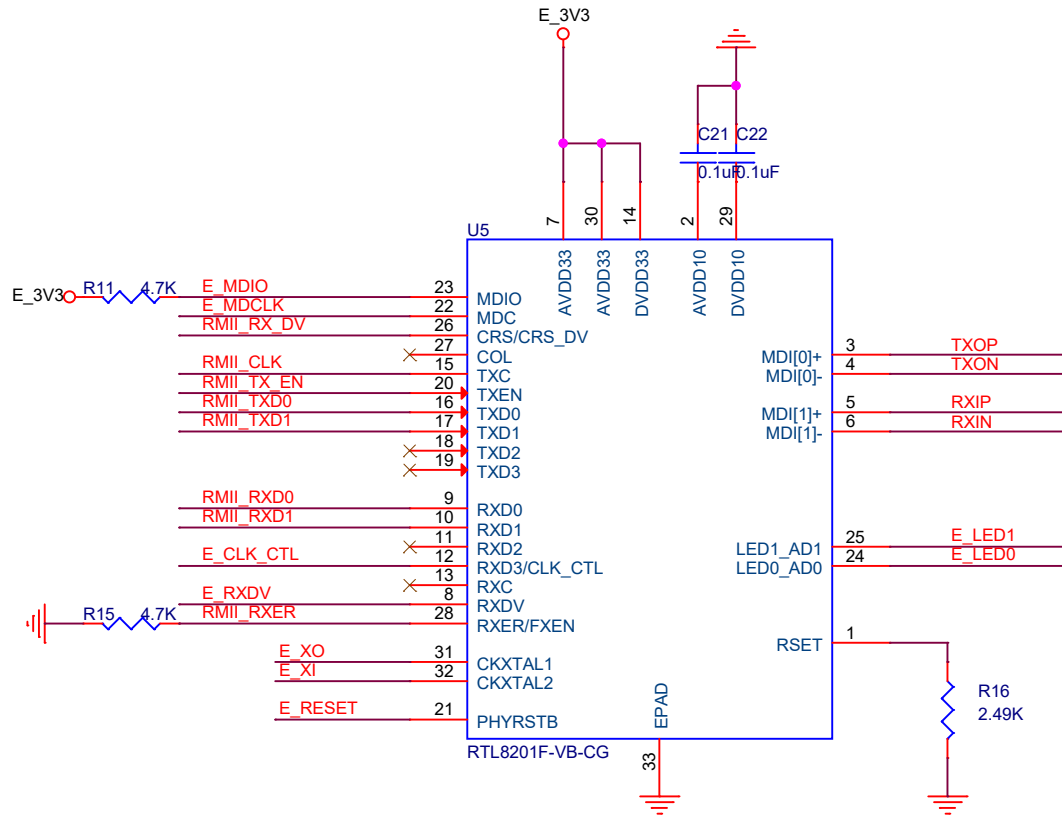
Title <Title>		
Size A4	Document Number <Doc>	Rev 1.0
Date:	Monday, March 14, 2022	Sheet 3 of 10



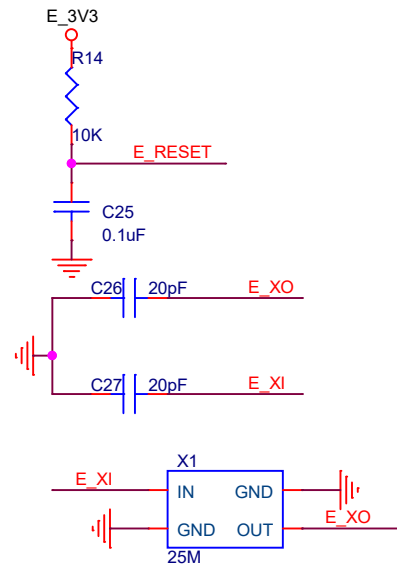
D



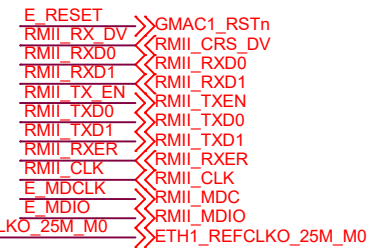
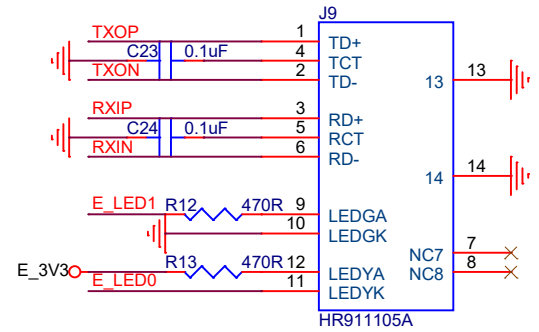
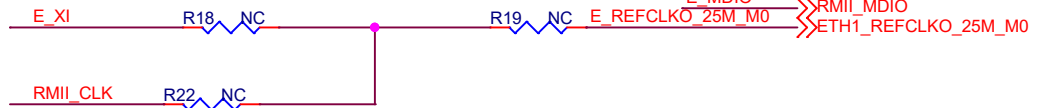
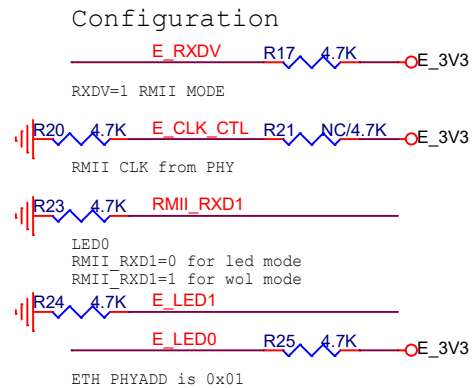
C



B



A



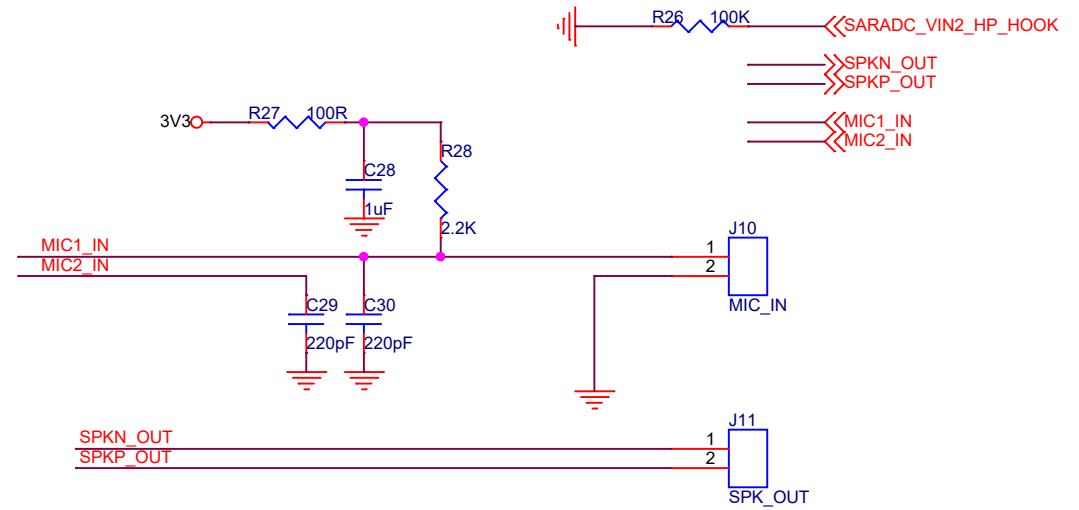
Title		
<Title>		
Size	Document Number	Rev
A4	<Doc>	1.0
Date:	Sunday, March 13, 2022	Sheet 5 of 10

D

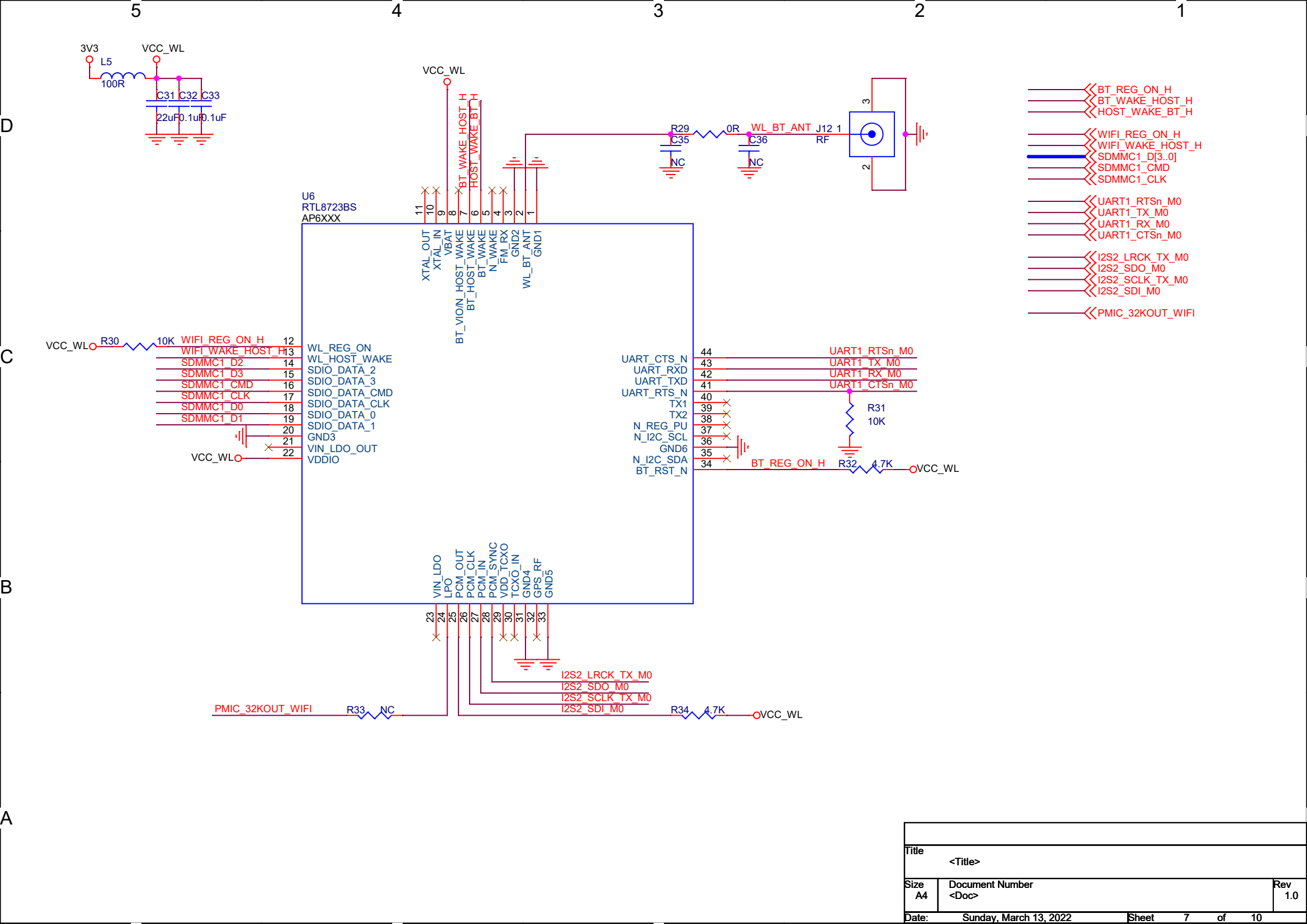
C

B

A



Title		
<Title>		
Size	Document Number	Rev
A4	<Doc>	1.0
Date:	Sunday, March 13, 2022	Sheet 6 of 10



- << BT\_REG\_ON\_H
- << BT\_WAKE\_HOST\_H
- << HOST\_WAKE\_BT\_H
- << WIFI\_REG\_ON\_H
- << WIFI\_WAKE\_HOST\_H
- << SDMMC1\_D[3..0]
- << SDMMC1\_CMD
- << SDMMC1\_CLK
- << UART1\_RTSn\_M0
- << UART1\_TX\_M0
- << UART1\_RX\_M0
- << UART1\_CTSn\_M0
- << I2S2\_LRCK\_TX\_M0
- << I2S2\_SDO\_M0
- << I2S2\_SCLK\_TX\_M0
- << I2S2\_SDI\_M0
- << PMIC\_32KOUT\_WIFI

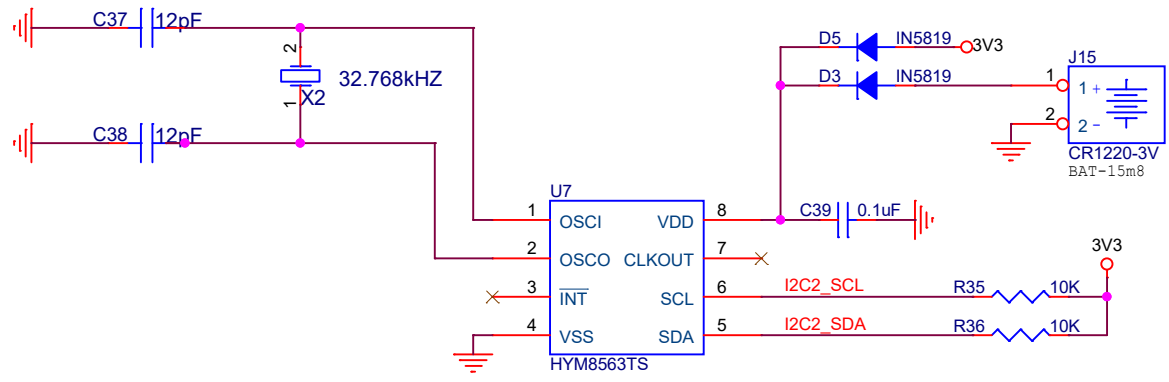
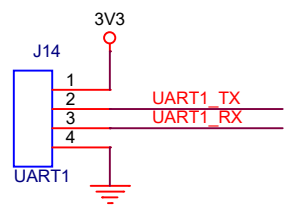
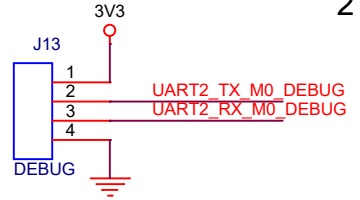
Title		
<Title>		
Size	Document Number	Rev
A4	<Doc>	1.0
Date:	Sunday, March 13, 2022	Sheet 7 of 10

D

C

B

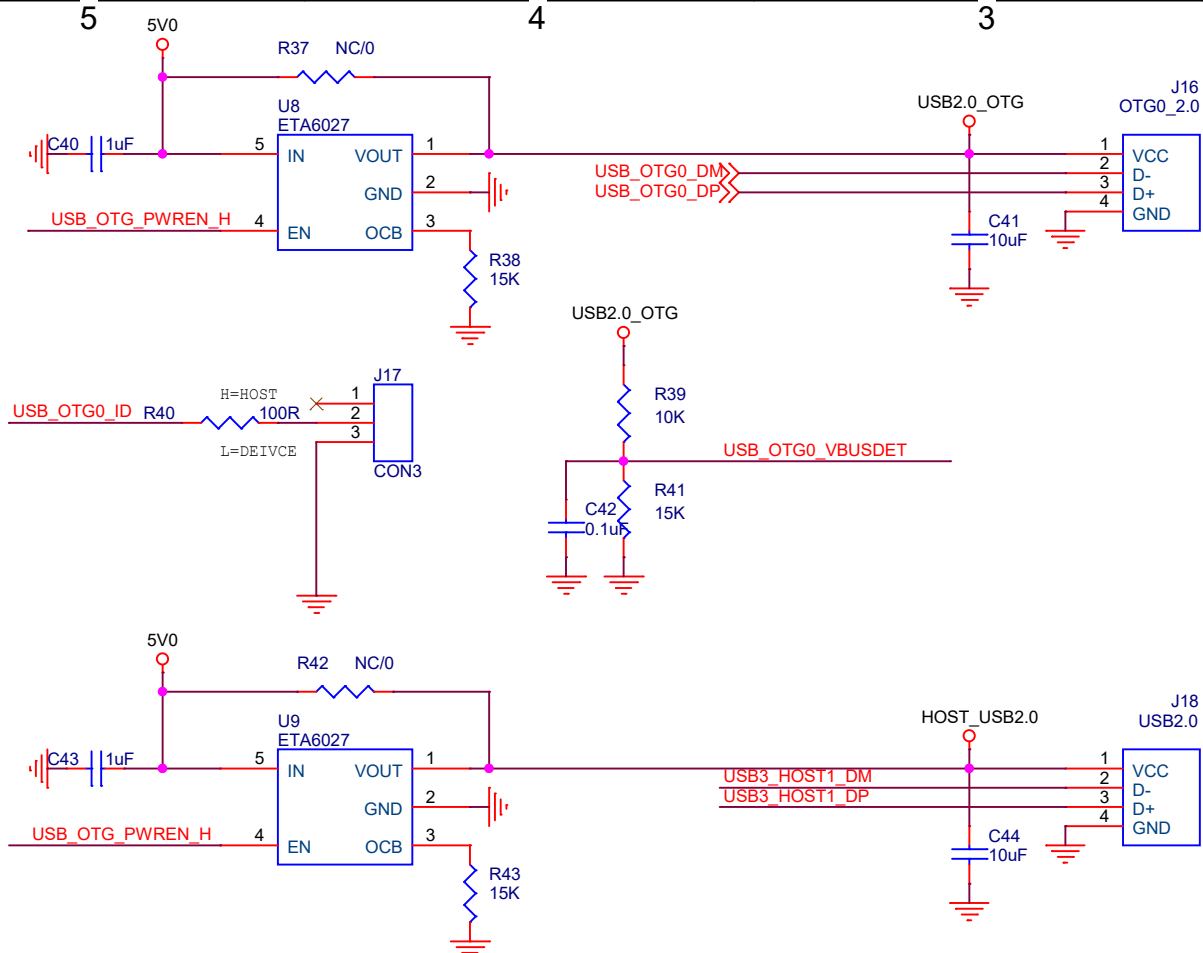
A



Address:Read A3H,Write A2H

Title <Title>		
Size A4	Document Number <Doc>	Rev 1.0
Date:	Monday, March 14, 2022	Sheet 8 of 10

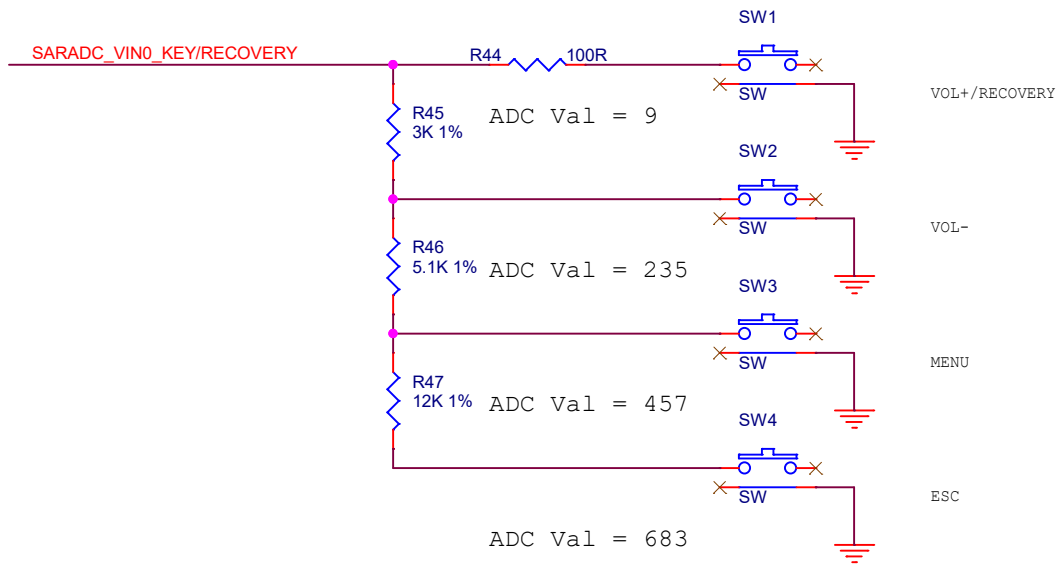




- >>> USB\_OTG\_PWREN\_H
- >>> USB\_OTG0\_DM
- >>> USB\_OTG0\_DP
- >>> USB\_OTG0\_VBUSDET
- >>> USB\_OTG0\_ID
- >>> USB3\_HOST1\_DM
- >>> USB3\_HOST1\_DP

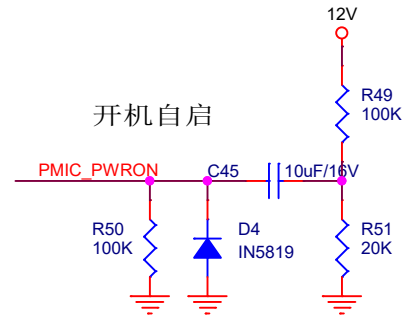
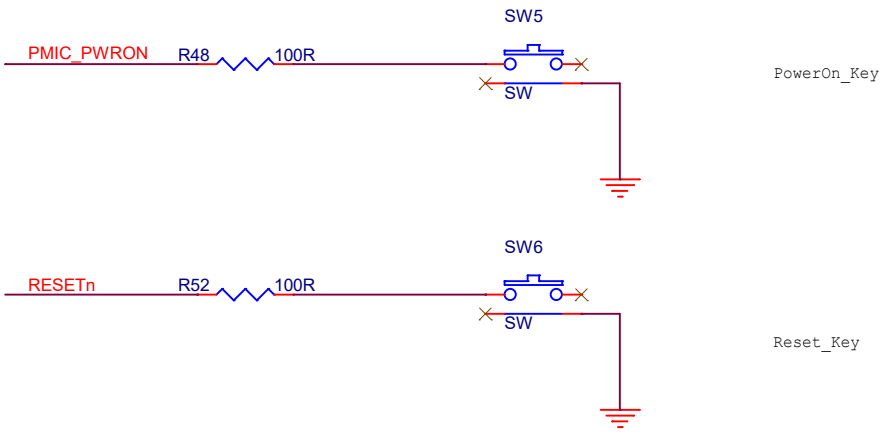
Title		
<Title>		
Size	Document Number	Rev
A4	<Doc>	1.0
Date:	Sunday, March 13, 2022	Sheet 9 of 10

<< SARADC\_VIN0\_KEY/RECOVERY  
 << PMIC\_PWRON  
 << RESETn



Key Name	ADC Value
VOL+/RECOVERY	9
VOL-	235
MENU	457
ESC	683

Just as an example.



Title <Title>		
Size A4	Document Number <Doc>	Rev 1.0
Date:	Monday, March 14, 2022	Sheet 10 of 10